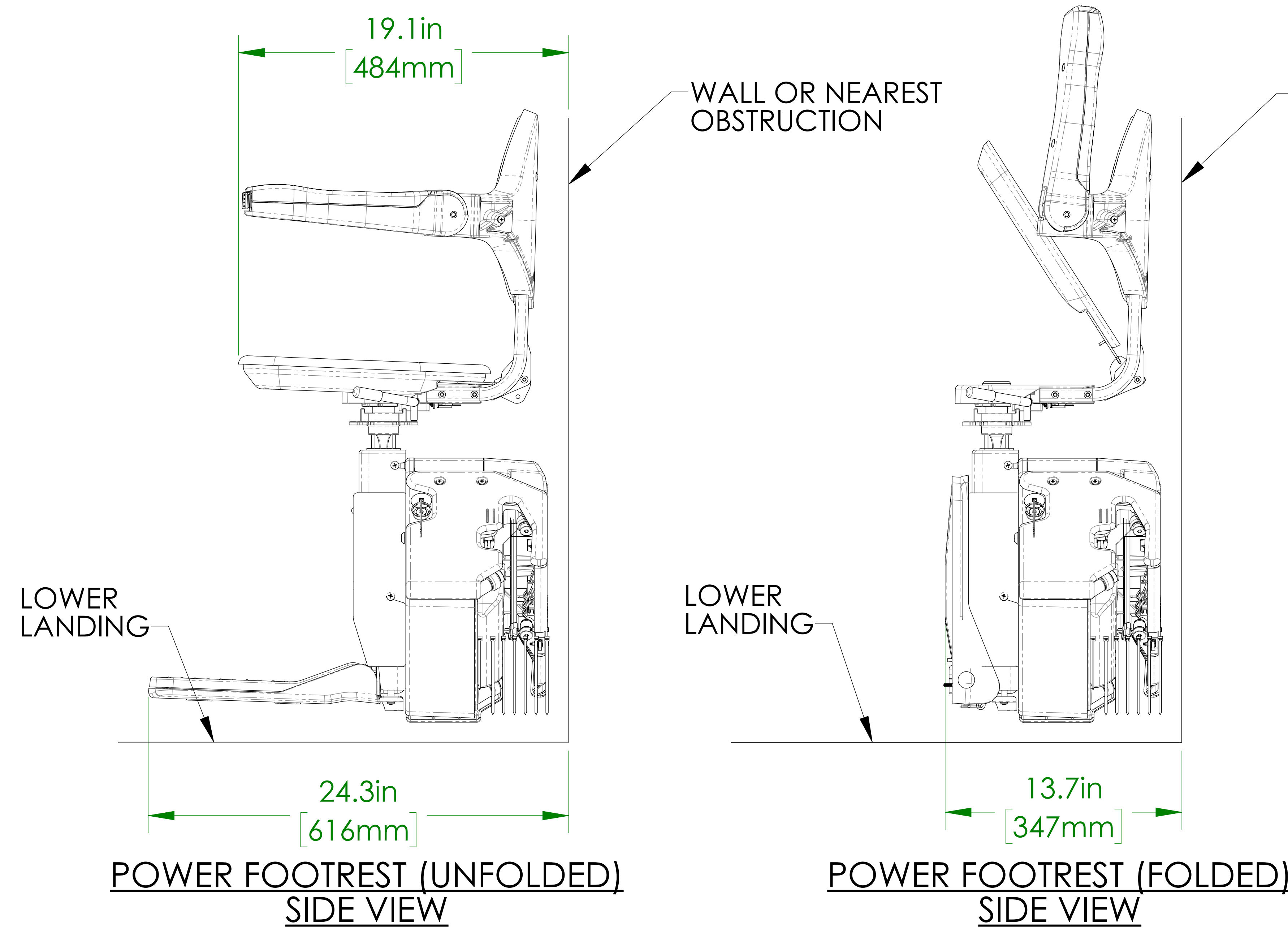
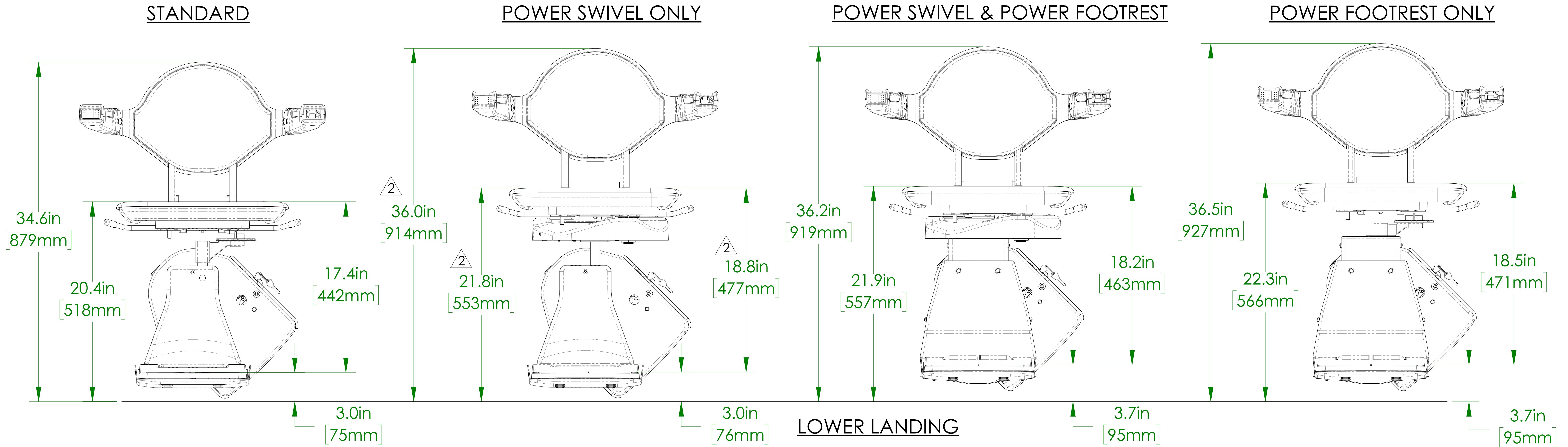


SRE-3000 POWER OPTIONS TYPICAL DRAWING

SUPPLEMENTAL SEAT AND FOOTREST DIMENSIONS FOR POWER OPTIONS

CARRIAGE AND SEAT ELEVATION VIEW
SEAT AND FOOTREST SHOWN IN LOWEST POSITIONS
FOR LEFT HAND INSTALLATIONS



NOTES:

- 1) STANDARD: SEAT ADJUSTS UP 3" [76mm] IN 1" [25mm] INCREMENTS.
- 2) POWER OPTIONS: SEAT ADJUSTS UP 2" [51mm] IN 1" [25mm] INCREMENTS.